

5

4

3

2

1

E

E

D

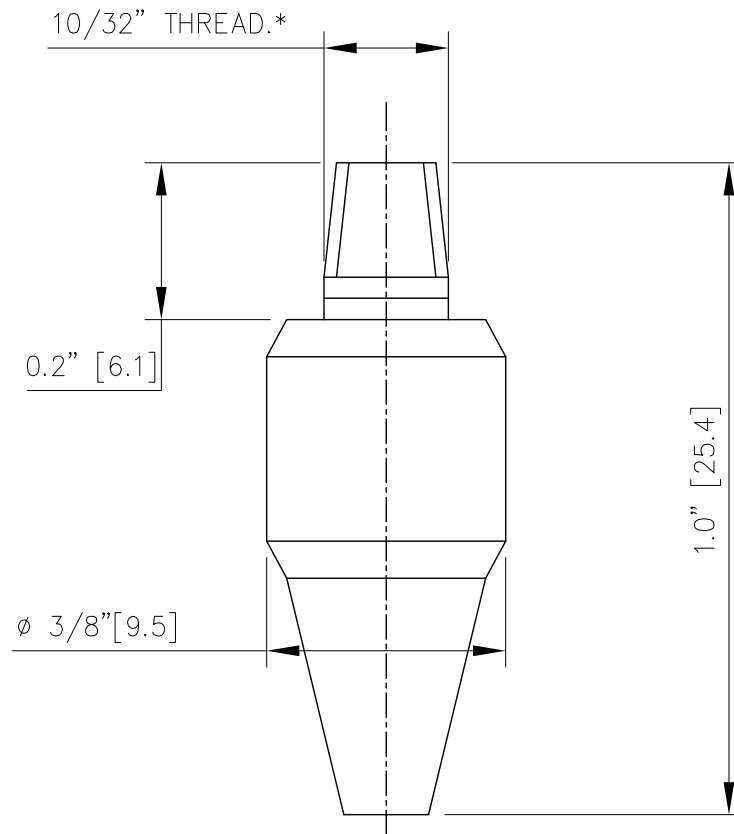
D

C

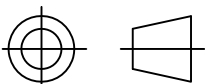
C

B

B



\* ALSO AVAILABLE IN 5mm x 0.8 PITCH THREAD

THIRD ANGLE  
PROJECTION

MATERIAL

—

FINISH

—

REQUIREMENTS—UNLESS  
OTHERWISE SPECIFIED

GENERAL

1. DIMS ARE IN INCHES (MM)
2. DIMENSIONING AND TOLERANCING IN ACCORDANCE WITH ANSI Y14.5 (1982)
3. MACHINE FINISH 125 MICRO INCH RMS
4. INTERNAL RADII .015
5. BREAK SHARP CORNERS .005 TO .015

LIMITS

1. LINEAR DIMS.  
.XXX = .005  
.XX = .010  
.X = .030
2. ANGLES =  $\pm$  1/2°
3. RUNOUT .010 TIR
4. HOLES IN ACCORDANCE WITH AND 10387

CONTRACT NUMBER —

CLIENT —

CONTRACTOR —

DRAWN  
CHIRAG.SDATE  
09/04/2015

DESIGN —

CHECKED  
ASHISH

PROJECT —

Q.A.  
—

STRESS —

MANUFACTURING  
—

THERMAL —

MATERIALS  
—

MECHANISM

ELECTRICAL

NEX FLOW AIR PRODUCTS CORP.  
10520 YONGE STREET, UNIT 35B-220, RICHMOND HILL, ON L4C 3C7  
TEL.: (416) 410-1313 & FAX: (416) 410-1806 www.nex-flow.com

TITLE  
OUTLINE DRAWING OF  
MINI-NOZZLE WITH 10/32" FITTING OR  
METRIC EQUIVALENT

SIZE	CAGE CODE	DWG NO.	RELEASE	REV
—	—	47001	—	—
SCALE	1:1	CAD NO	NOZ47001	SHEET 1 OF 1

5

4

3

2

1

A

A