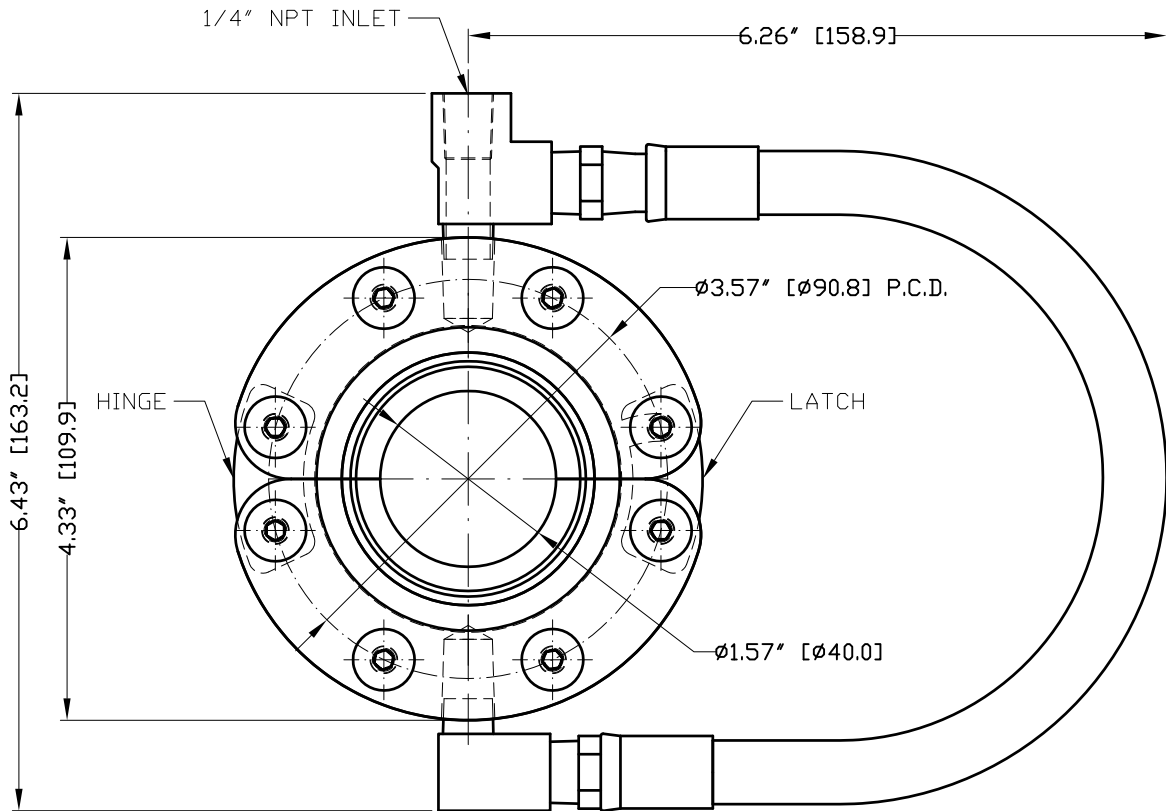


Top view



Front view

THIRD ANGLE PROJECTION 	REQUIREMENTS—UNLESS OTHERWISE SPECIFIED GENERAL 1. DIMS ARE IN INCHES (MM) 2. DIMENSIONING AND TOLERANCING IN ACCORDANCE WITH ANSI Y14.5 (1982) 3. MACHINE FINISH 125 MICRO INCH RMS 4. INTERNAL RADII .015 5. BREAK SHARP CORNERS .005 TO .015				CONTRACT NUMBER — CLIENT — CONTRACTOR —		NEX FLOW AIR PRODUCTS CORP. 10520 YONGE STREET, UNIT 35B-220, RICHMOND HILL, ON L4C 3C7 TEL.: (416) 410-1313 & FAX: (416) 410-1806 www.nex-flow.com								
	MATERIAL SEE TABLE	LIMITS 1. LINEAR DIMS. .XXX = .005 .XX = .010 .X = .030 2. ANGLES = ± 1/2° 3. RUNOUT .010 TIR 4. HOLES IN ACCORDANCE WITH AND 10387				DRAWN CHIRAGS	DATE 23/05/2015	TITLE RING AIR BLADE ASSEMBLY SIZE 40MM		PROJECT —	G.A. —				
FINISH SEE TABLE	NEXT ASSEMBLY —	USED ON —	QTY PER ASSY —	PART NO —	STRESS —	THERMAL —	MECHANISM —	MANUFACTURING —	MATERIALS —	ELECTRICAL —	SIZE C	CAGE CODE —	DWG NO —	RELEASE P	REV —
PART NO SEE TABLE				SCALE 1:1		CAD NO —	SHEET 1 OF 1								