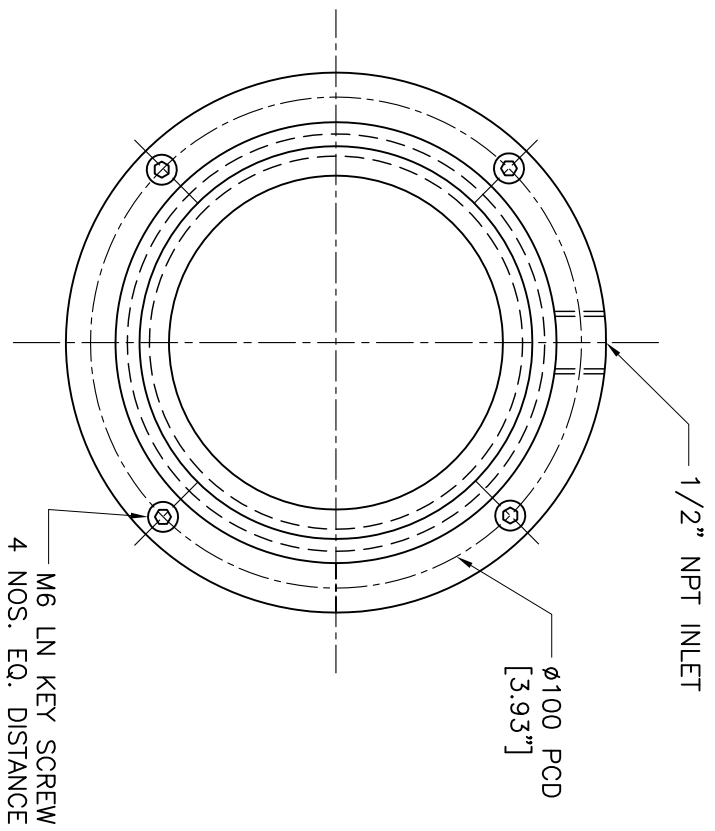
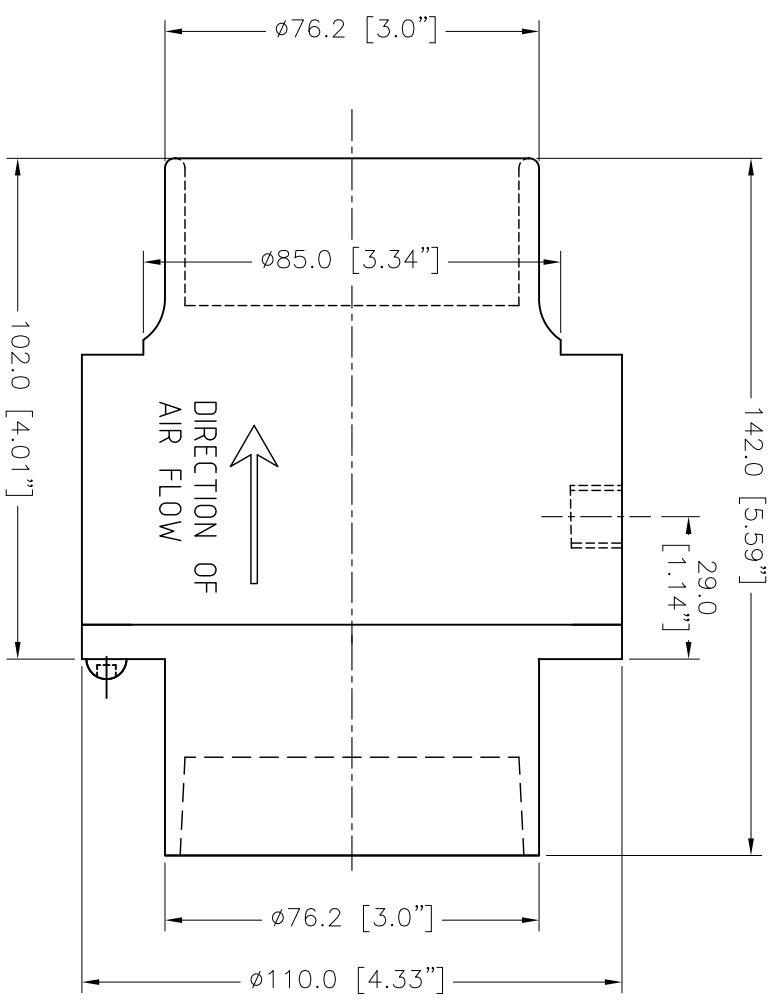


NOTES:
 1 ALL DIMENSIONS SHOWN ARE FINISH OPERATIONAL DIMENSIONS WHICH INCLUDE RESIDUAL COATINGS UNLESS OTHERWISE SPECIFIED.



REQUIREMENTS-UNLESS OTHERWISE SPECIFIED 1. DIMS ARE IN INCHES (MM) 2. ACCORDANCE WITH ANSI Y14.3 (2002) 3. MACHINE FINISH 125 MICRO INCH RMS 4. SURFACE STRENGTH 0.005 TO 0.015 LAMINATE		CONTRACT NUMBER CLIENT - CONTRACTOR - DRAWN - SP/ATL DESIGNED - CHECKED - DATE 10/08/2013 PROJECT -		TITLE NEX FLOW AIR PRODUCTS CORP. 10520 YONCE STREET, UNIT 208-220, RICHMOND HILL, ON L4C 3C7 TEL: (416) 410-1313 & FAX: (416) 410-1808 www.nex-flow.com	
FINISH S.S. 304		MANUFACTURING SIZE - QTY CODE - MATERIALS - ELECTRICAL - BOLT 1:1 - CAP NO 3"-SSRV		DATE 10/08/2013 PROJECT 3" S.S.304 RING VAC	
REVISIONS NO. DATE BY 1. 10/08/2013 SP/ATL 2. 10/08/2013 SP/ATL 3. 10/08/2013 SP/ATL 4. 10/08/2013 SP/ATL		SCALE 1:1		RELIEF P REV -	

OUTLINE DRAWING OF 3" S.S.304 RING VAC

