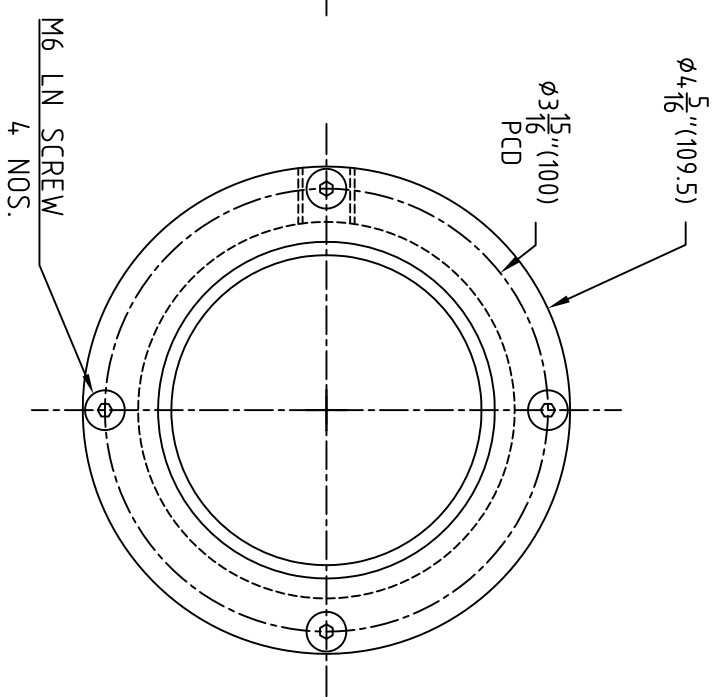
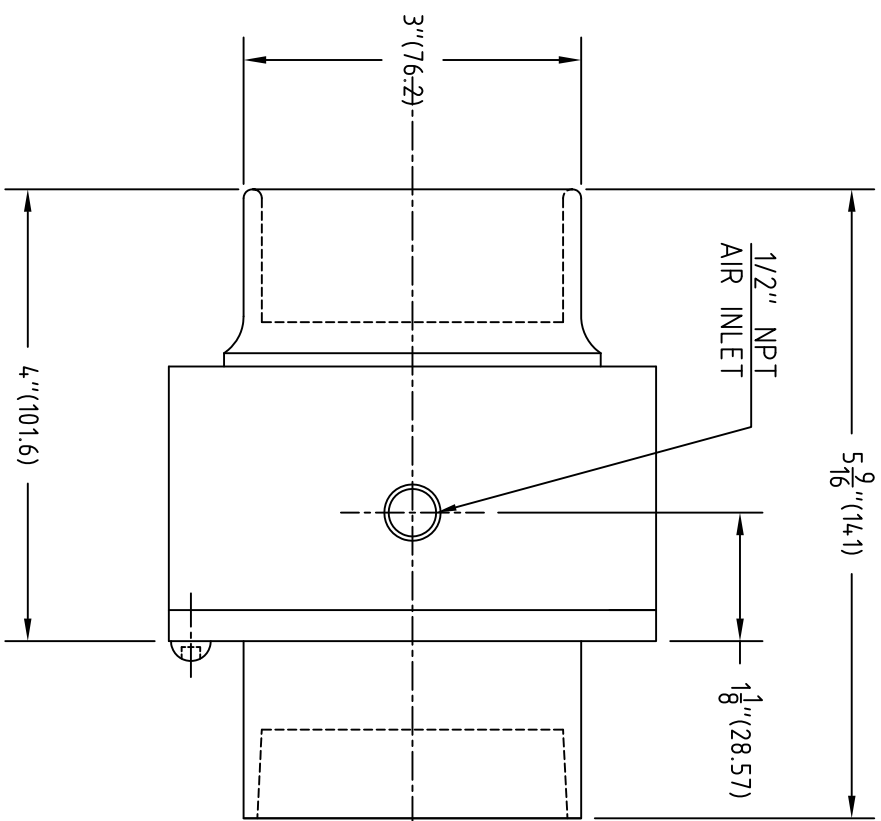


NOTES:
 1 ALL DIMENSIONS SHOWN ARE FINISH OPERATIONAL DIMENSIONS WHICH INCLUDE RESIDUAL COATINGS UNLESS OTHERWISE SPECIFIED.



ALUMINUM 6061 T6		3" ALUMINUM RING VAC	
PART NO. 30006		REV. 1	
DATE 2-1		DRAWN BY 3-ALRV	
CHECKED BY		APPROVED BY	
DESIGNED BY		MANUFACTURED BY	
MATERIALS		FINISHES	
QUANTITY		WEIGHT	
UNIT		PRICE	
TOTAL		TOTAL	
COMMENTS		COMMENTS	
1. MATERIAL: ALUMINUM 6061 T6		1. FINISH: ANODIZED	
2. DIMENSIONS: 3" DIA. X 4" H.		2. WEIGHT: 0.5 LBS.	
3. TOLERANCES: ±0.005		3. SURFACES: 32	
4. FINISHES: ANODIZED		4. WEIGHTS: 0.5 LBS.	
5. MATERIALS: ALUMINUM 6061 T6		5. WEIGHTS: 0.5 LBS.	
6. DIMENSIONS: 3" DIA. X 4" H.		6. WEIGHTS: 0.5 LBS.	
7. TOLERANCES: ±0.005		7. SURFACES: 32	
8. FINISHES: ANODIZED		8. WEIGHTS: 0.5 LBS.	
9. MATERIALS: ALUMINUM 6061 T6		9. WEIGHTS: 0.5 LBS.	
10. DIMENSIONS: 3" DIA. X 4" H.		10. WEIGHTS: 0.5 LBS.	
11. TOLERANCES: ±0.005		11. SURFACES: 32	
12. FINISHES: ANODIZED		12. WEIGHTS: 0.5 LBS.	
13. MATERIALS: ALUMINUM 6061 T6		13. WEIGHTS: 0.5 LBS.	
14. DIMENSIONS: 3" DIA. X 4" H.		14. WEIGHTS: 0.5 LBS.	
15. TOLERANCES: ±0.005		15. SURFACES: 32	
16. FINISHES: ANODIZED		16. WEIGHTS: 0.5 LBS.	
17. MATERIALS: ALUMINUM 6061 T6		17. WEIGHTS: 0.5 LBS.	
18. DIMENSIONS: 3" DIA. X 4" H.		18. WEIGHTS: 0.5 LBS.	
19. TOLERANCES: ±0.005		19. SURFACES: 32	
20. FINISHES: ANODIZED		20. WEIGHTS: 0.5 LBS.	
21. MATERIALS: ALUMINUM 6061 T6		21. WEIGHTS: 0.5 LBS.	
22. DIMENSIONS: 3" DIA. X 4" H.		22. WEIGHTS: 0.5 LBS.	
23. TOLERANCES: ±0.005		23. SURFACES: 32	
24. FINISHES: ANODIZED		24. WEIGHTS: 0.5 LBS.	
25. MATERIALS: ALUMINUM 6061 T6		25. WEIGHTS: 0.5 LBS.	
26. DIMENSIONS: 3" DIA. X 4" H.		26. WEIGHTS: 0.5 LBS.	
27. TOLERANCES: ±0.005		27. SURFACES: 32	
28. FINISHES: ANODIZED		28. WEIGHTS: 0.5 LBS.	
29. MATERIALS: ALUMINUM 6061 T6		29. WEIGHTS: 0.5 LBS.	
30. DIMENSIONS: 3" DIA. X 4" H.		30. WEIGHTS: 0.5 LBS.	
31. TOLERANCES: ±0.005		31. SURFACES: 32	
32. FINISHES: ANODIZED		32. WEIGHTS: 0.5 LBS.	
33. MATERIALS: ALUMINUM 6061 T6		33. WEIGHTS: 0.5 LBS.	
34. DIMENSIONS: 3" DIA. X 4" H.		34. WEIGHTS: 0.5 LBS.	
35. TOLERANCES: ±0.005		35. SURFACES: 32	
36. FINISHES: ANODIZED		36. WEIGHTS: 0.5 LBS.	
37. MATERIALS: ALUMINUM 6061 T6		37. WEIGHTS: 0.5 LBS.	
38. DIMENSIONS: 3" DIA. X 4" H.		38. WEIGHTS: 0.5 LBS.	
39. TOLERANCES: ±0.005		39. SURFACES: 32	
40. FINISHES: ANODIZED		40. WEIGHTS: 0.5 LBS.	
41. MATERIALS: ALUMINUM 6061 T6		41. WEIGHTS: 0.5 LBS.	
42. DIMENSIONS: 3" DIA. X 4" H.		42. WEIGHTS: 0.5 LBS.	
43. TOLERANCES: ±0.005		43. SURFACES: 32	
44. FINISHES: ANODIZED		44. WEIGHTS: 0.5 LBS.	
45. MATERIALS: ALUMINUM 6061 T6		45. WEIGHTS: 0.5 LBS.	
46. DIMENSIONS: 3" DIA. X 4" H.		46. WEIGHTS: 0.5 LBS.	
47. TOLERANCES: ±0.005		47. SURFACES: 32	
48. FINISHES: ANODIZED		48. WEIGHTS: 0.5 LBS.	
49. MATERIALS: ALUMINUM 6061 T6		49. WEIGHTS: 0.5 LBS.	
50. DIMENSIONS: 3" DIA. X 4" H.		50. WEIGHTS: 0.5 LBS.	
51. TOLERANCES: ±0.005		51. SURFACES: 32	
52. FINISHES: ANODIZED		52. WEIGHTS: 0.5 LBS.	
53. MATERIALS: ALUMINUM 6061 T6		53. WEIGHTS: 0.5 LBS.	
54. DIMENSIONS: 3" DIA. X 4" H.		54. WEIGHTS: 0.5 LBS.	
55. TOLERANCES: ±0.005		55. SURFACES: 32	
56. FINISHES: ANODIZED		56. WEIGHTS: 0.5 LBS.	
57. MATERIALS: ALUMINUM 6061 T6		57. WEIGHTS: 0.5 LBS.	
58. DIMENSIONS: 3" DIA. X 4" H.		58. WEIGHTS: 0.5 LBS.	
59. TOLERANCES: ±0.005		59. SURFACES: 32	
60. FINISHES: ANODIZED		60. WEIGHTS: 0.5 LBS.	
61. MATERIALS: ALUMINUM 6061 T6		61. WEIGHTS: 0.5 LBS.	
62. DIMENSIONS: 3" DIA. X 4" H.		62. WEIGHTS: 0.5 LBS.	
63. TOLERANCES: ±0.005		63. SURFACES: 32	
64. FINISHES: ANODIZED		64. WEIGHTS: 0.5 LBS.	
65. MATERIALS: ALUMINUM 6061 T6		65. WEIGHTS: 0.5 LBS.	
66. DIMENSIONS: 3" DIA. X 4" H.		66. WEIGHTS: 0.5 LBS.	
67. TOLERANCES: ±0.005		67. SURFACES: 32	
68. FINISHES: ANODIZED		68. WEIGHTS: 0.5 LBS.	
69. MATERIALS: ALUMINUM 6061 T6		69. WEIGHTS: 0.5 LBS.	
70. DIMENSIONS: 3" DIA. X 4" H.		70. WEIGHTS: 0.5 LBS.	
71. TOLERANCES: ±0.005		71. SURFACES: 32	
72. FINISHES: ANODIZED		72. WEIGHTS: 0.5 LBS.	
73. MATERIALS: ALUMINUM 6061 T6		73. WEIGHTS: 0.5 LBS.	
74. DIMENSIONS: 3" DIA. X 4" H.		74. WEIGHTS: 0.5 LBS.	
75. TOLERANCES: ±0.005		75. SURFACES: 32	
76. FINISHES: ANODIZED		76. WEIGHTS: 0.5 LBS.	
77. MATERIALS: ALUMINUM 6061 T6		77. WEIGHTS: 0.5 LBS.	
78. DIMENSIONS: 3" DIA. X 4" H.		78. WEIGHTS: 0.5 LBS.	
79. TOLERANCES: ±0.005		79. SURFACES: 32	
80. FINISHES: ANODIZED		80. WEIGHTS: 0.5 LBS.	
81. MATERIALS: ALUMINUM 6061 T6		81. WEIGHTS: 0.5 LBS.	
82. DIMENSIONS: 3" DIA. X 4" H.		82. WEIGHTS: 0.5 LBS.	
83. TOLERANCES: ±0.005		83. SURFACES: 32	
84. FINISHES: ANODIZED		84. WEIGHTS: 0.5 LBS.	
85. MATERIALS: ALUMINUM 6061 T6		85. WEIGHTS: 0.5 LBS.	
86. DIMENSIONS: 3" DIA. X 4" H.		86. WEIGHTS: 0.5 LBS.	
87. TOLERANCES: ±0.005		87. SURFACES: 32	
88. FINISHES: ANODIZED		88. WEIGHTS: 0.5 LBS.	
89. MATERIALS: ALUMINUM 6061 T6		89. WEIGHTS: 0.5 LBS.	
90. DIMENSIONS: 3" DIA. X 4" H.		90. WEIGHTS: 0.5 LBS.	
91. TOLERANCES: ±0.005		91. SURFACES: 32	
92. FINISHES: ANODIZED		92. WEIGHTS: 0.5 LBS.	
93. MATERIALS: ALUMINUM 6061 T6		93. WEIGHTS: 0.5 LBS.	
94. DIMENSIONS: 3" DIA. X 4" H.		94. WEIGHTS: 0.5 LBS.	
95. TOLERANCES: ±0.005		95. SURFACES: 32	
96. FINISHES: ANODIZED		96. WEIGHTS: 0.5 LBS.	
97. MATERIALS: ALUMINUM 6061 T6		97. WEIGHTS: 0.5 LBS.	
98. DIMENSIONS: 3" DIA. X 4" H.		98. WEIGHTS: 0.5 LBS.	
99. TOLERANCES: ±0.005		99. SURFACES: 32	
100. FINISHES: ANODIZED		100. WEIGHTS: 0.5 LBS.	

NEX FLOW AIR PRODUCTS CORP
 1050 RING STREET UNIT 250-255 RICHMOND HILL ON L4C 3Z7
 TEL: (416) 410-1313 & FAX: (416) 410-1805
 3" ALUMINUM RING VAC
 30006
 P 1