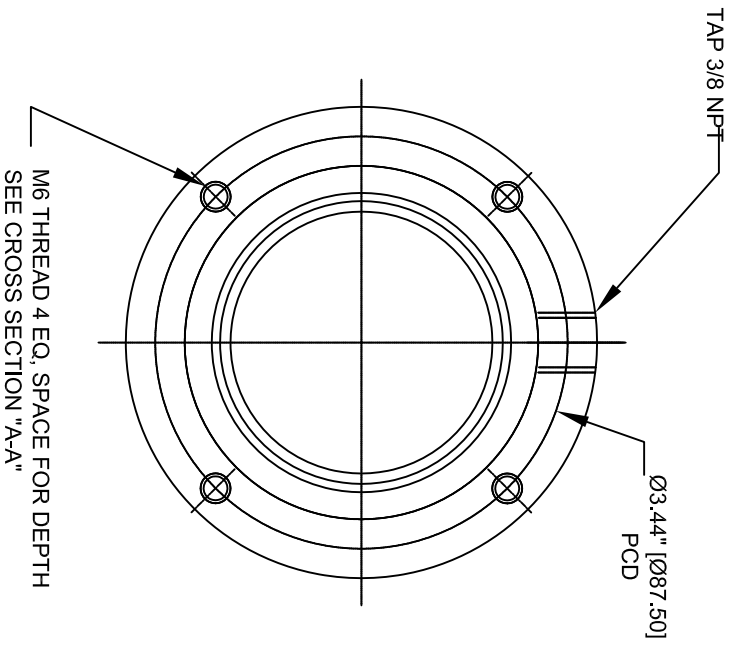
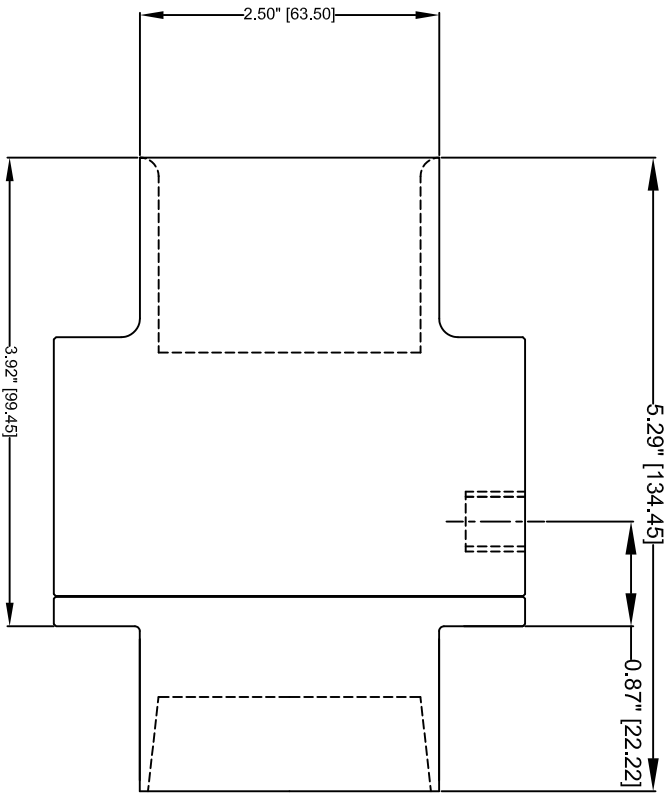


NOTES:  
 1 ALL DIMENSIONS SHOWN ARE FINISH OPERATIONAL DIMENSIONS WHICH INCLUDE RESIDUAL COATINGS UNLESS OTHERWISE SPECIFIED.



HARD ANGLE FINISH <b>ALUMINUM 6061 T6</b>				GENERAL 1. DIMS ARE IN INCHES/UM 2. ACCORDANCE WITH ASST 714.3 (1980) 3. MACHING FINISH 125 MICRO INCH FINISH 4. BREAK SHAVE CORNERS ADD TO .015 LIMITS 5. BREAK SHAVE CORNERS ADD TO .015 LIMITS	
FINISH = =		NEXT ASSEMBLY = =		CONTRACT NUMBER - CLIENT - CONTRACTOR - DATE 09-04-11 VNS LES PROJECT TITLES MATERIALS INSTRUMENTATION REVIEW DATE CODE SHEET NO 30005 SHEET 1 OF 1	
PART NO = =		HARD ON = =		NEX FLOW AIR PRODUCTS CORP. 10520 YONGE STREET, UNIT 359-220, RICHMOND HILL, ON L4C 3C7 TEL.: (416) 410-1313 & FAX: (416) 410-1806 nfv@nfv.com	

8 7 6 5 4 3 2 1

A B C D E

A B C D E