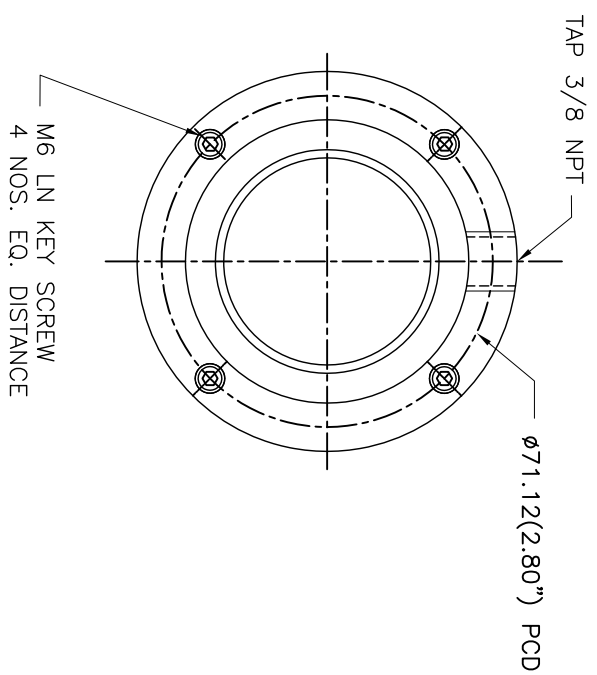
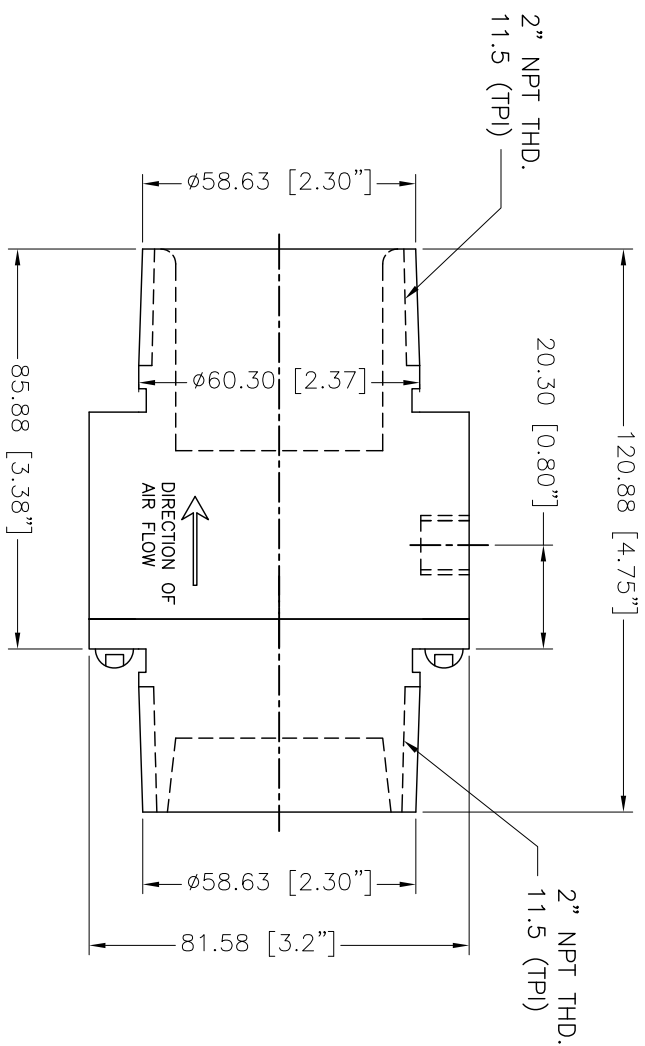


REVISIONS			
REV	DESCRIPTION	DATE	APPROVED
-	-	-	-



THIRD ANGLE PROJECTION 		PRODUCTION 	
MATERIAL S.S. 304		FINISH -	
REVISIONS 1. DIMS ARE IN INCHES (DIM) UNLESS OTHERWISE NOTED 2. DIMENSIONS ARE TO CENTER UNLESS OTHERWISE NOTED 3. MACHINING FINISH 125 MICRO INCH RMS UNLESS OTHERWISE NOTED 4. BREAK SHOWN CONFORMS TO ASME Y14.3		CONTRACT NUMBER -	
CLIENT NEX FLOW AIR PRODUCTS CORP 1020 YONGE STREET, UNIT 300, RICHMOND HILL, ON L4C 3C7 TEL: (416) 410-1313 & FAX: (416) 410-1906 www.nex-flow.com		DATE 10/09/2013	
DESIGNER SEATTLE		SCALE 1:1	
DATE 10/09/2013		SCALE 1:1	
PROJECT 2" S.S. 304 THREADED RING VAC		SCALE 1:1	
PROJECT 30004TS		SCALE 1:1	
PROJECT 30004TS		SCALE 1:1	