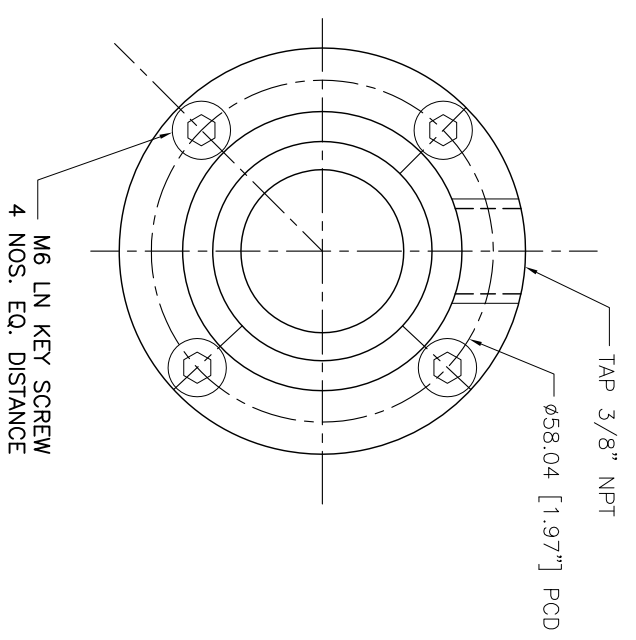
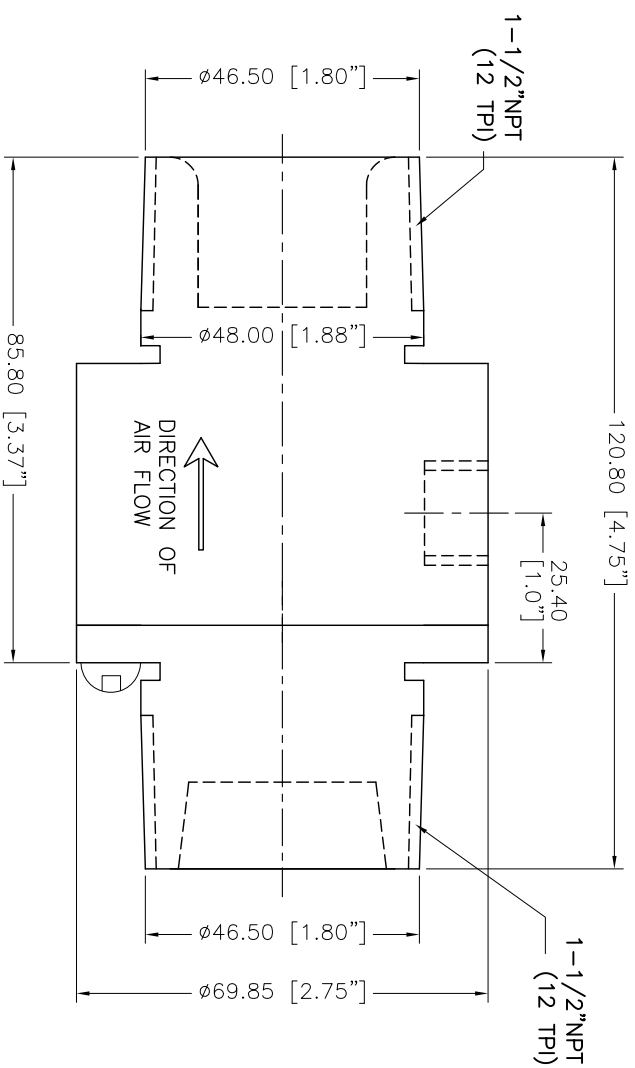


NOTES:  
 1 ALL DIMENSIONS SHOWN ARE FINISH OPERATIONAL DIMENSIONS WHICH INCLUDE RESIDUAL COATINGS UNLESS OTHERWISE SPECIFIED.



		<b>REVISIONS</b> 1. DIMS ARE IN INCHES (UN) 2. UNDESIGNED AND UNFINISHED SURF. 3. MACHINING FINISH 125 MICRO INCH RMS 4. INTERNAL RADIUS .015 TO .018 UNLESS SPECIFIED OTHERWISE		<b>CONTRACT NUMBER</b> CLIENT: CONTRACTOR: DATE: 10/06/2013 DRAWN: CHECKED: APPROVED: MATERIALS: FINISHES: DIMENSIONS:		<b>COMPANY</b> NEX FLOW AIR PRODUCTS CORP. 1500 W. 10TH ST. SUITE 100 DENVER, CO 80202 TEL: (303) 440-1515 FAX: (303) 440-1508 WWW.NEXFLOW.COM	
<b>THIRD ANGLE PROJECTION</b> 	<b>MATERIAL</b> S.S. 304	<b>FINISH</b> ---	<b>REACT ASSEMBLY</b> ---	<b>USED ON</b> ---	<b>OFFERING PART NO.</b> ---	<b>PART NO.</b> ---	
<b>DESCRIPTION</b> 1.5" S.S. 304 THREADED RING VAC		<b>SIZE</b> C	<b>QTY</b> 30003TS	<b>SCALE</b> 1:1	<b>DATE</b> 10/06/2013	<b>SHEET</b> 1 of 1	