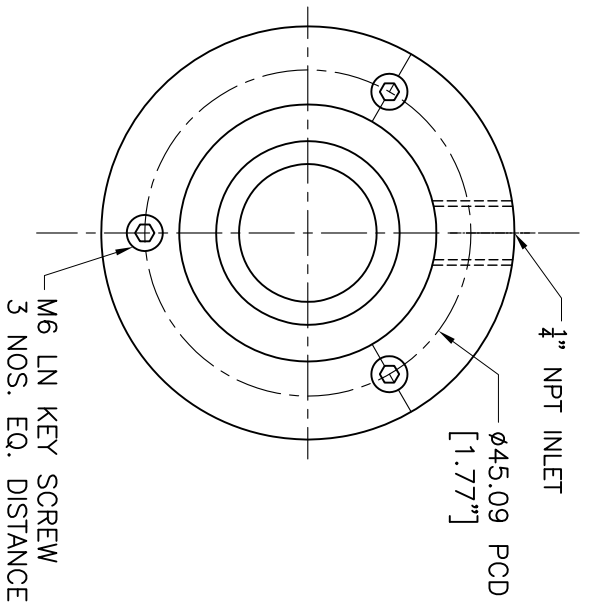
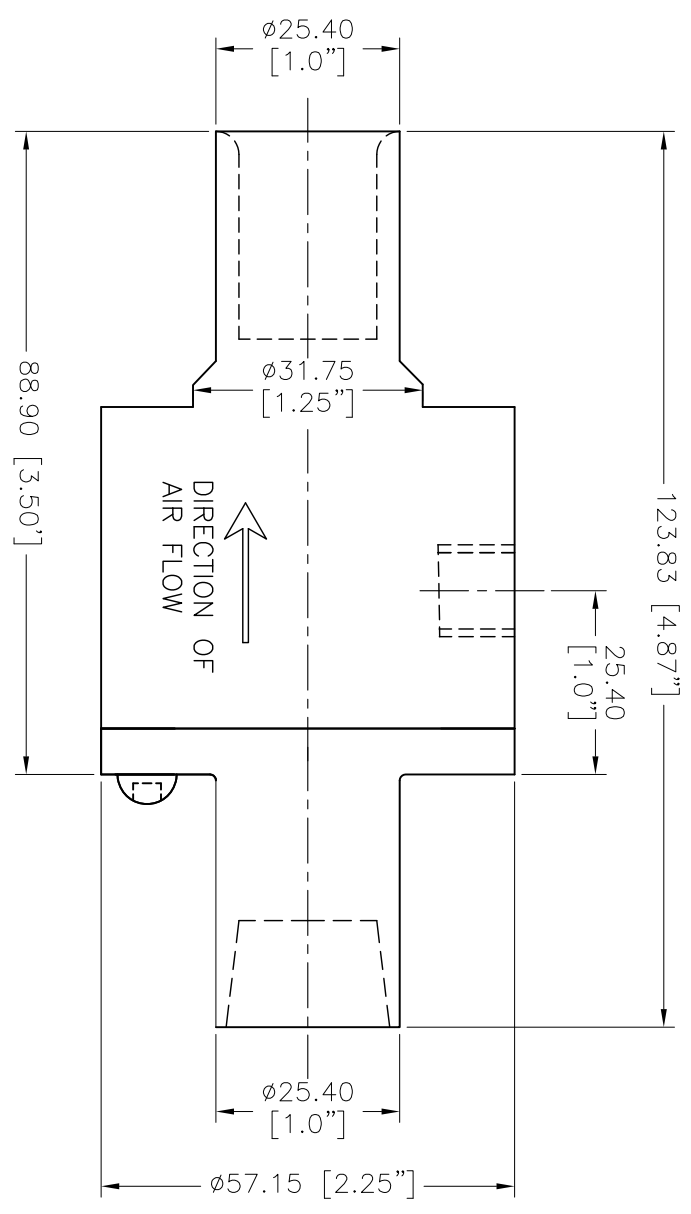


NOTES:
 1 ALL DIMENSIONS SHOWN ARE FINISH OPERATIONAL DIMENSIONS WHICH INCLUDE RESIDUAL COATINGS UNLESS OTHERWISE SPECIFIED.



REQUIREMENTS UNLESS OTHERWISE SPECIFIED 1. DIMS ARE IN INCHES (MM) 2. DIMS ARE TO BE MAINTAINED IN ACCORDANCE WITH ANSI Y14.5 (1982) 3. MACHINE FINISH 125 MICRO INCH RMS 4. INTERNAL RADIUS .015 5. BREAK SHARP CORNERS .005 TO .015 6. Holes in accordance with and 10397		CONTRACT NUMBER - CLIENT - CONTRACTOR - DRAWN - S.PATIL DESIGN - PROJECT - DATE 10/06/2013 CHECKED - LES O.A. MANUFACTURING - MATERIALS - ELECTRICAL -		FINISH S.S. 304 TIRPO ANGLE PROJECTION S.S. 304	
LINEAR DIMS. XXX = .005 XX = .010 X = .030 = ± 1/2° 2. ANGLES = ± 1/2° 3. ROUNDT .010 TR 4. HOLES IN ACCORDANCE WITH AND 10397		TYPE NEX FLOW AIR PRODUCTS CORP. 10520 YONCE STREET, UNIT 388-220, RICHMOND HILL, ON L4C 3C7 TEL: (416) 410-1313 & FAX: (416) 410-1808 www.nfcr-flow.com		SCALE 1:1 CAGE CODE - DWG NO 30001S RELEASE REV P 1	
MECHANISM		DATE 10/06/2013 CHECKED - LES O.A.		SIZE C QTY - DWG NO 30001S SCALE 1:1 CAD NO 1'-SSRV SHEET 1 of 1	

OUTLINE DRAWING OF
 1" S.S.304 RING VAC

NEX FLOW AIR PRODUCTS CORP.
 10520 YONCE STREET, UNIT 388-220, RICHMOND HILL, ON L4C 3C7
 TEL: (416) 410-1313 & FAX: (416) 410-1808 www.nfcr-flow.com

CONTRACT NUMBER -
 CLIENT -
 CONTRACTOR -
 DRAWN - S.PATIL
 DESIGN -
 PROJECT -
 DATE 10/06/2013
 CHECKED -
 LES
 O.A.
 MANUFACTURING -
 MATERIALS -
 ELECTRICAL -

REQUIREMENTS UNLESS OTHERWISE SPECIFIED
 1. DIMS ARE IN INCHES (MM)
 2. DIMS ARE TO BE MAINTAINED IN ACCORDANCE WITH ANSI Y14.5 (1982)
 3. MACHINE FINISH 125 MICRO INCH RMS
 4. INTERNAL RADIUS .015
 5. BREAK SHARP CORNERS .005 TO .015
 6. Holes in accordance with and 10397

FINISH
 S.S. 304
 TIRPO ANGLE PROJECTION
 S.S. 304