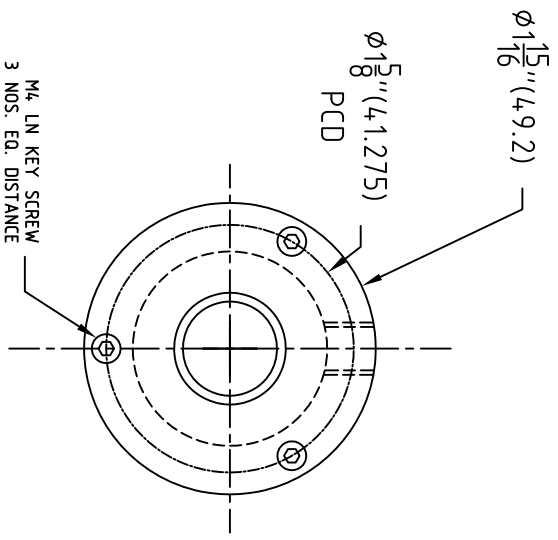
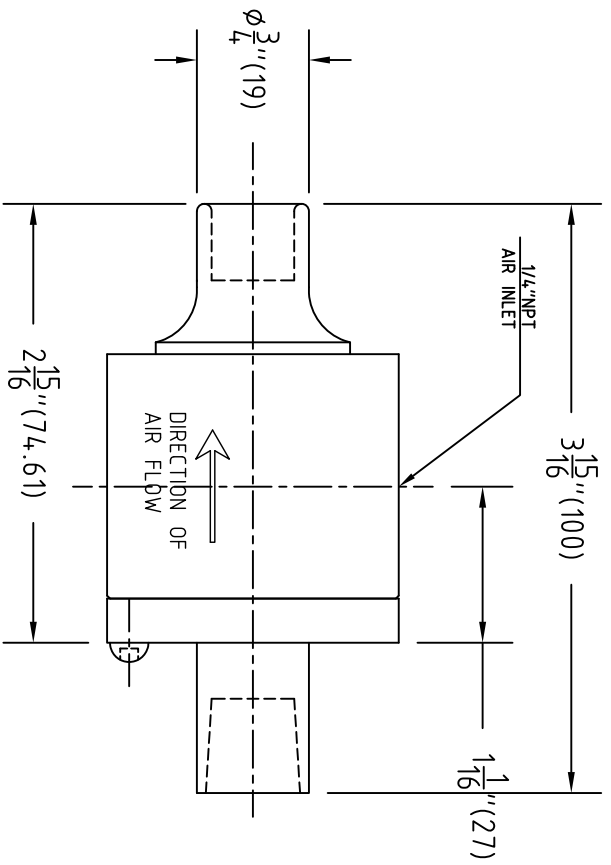


NOTES:
 1 ALL DIMENSIONS SHOWN ARE FINISH OPERATIONAL DIMENSIONS WHICH INCLUDE RESIDUAL COATINGS UNLESS OTHERWISE SPECIFIED.



THIRD ANGLE PROJECTION 		REQUIREMENTS - FINISHES GENERAL: 1. UNLESS SPECIFIED OTHERWISE, ALL DIMENSIONS ARE IN INCHES (MM) 2. DIMENSIONS AND TOLERANCES ARE TO BE SHOWN IN MILLIMETERS (MM) 3. MACHINE FINISH 125 MICRO INCH RMS 4. INTERNAL RADIUS .015 5. BREAK SHARP CORNERS 200 TO .015 UNITS: INCHES		CONTRACT NUMBER - CLIENT: NEX FLOW AIR PRODUCTS CORP. CONTRACTOR: NEX FLOW AIR PRODUCTS CORP.		DATE: 09-04-11 DESIGNER: [blank] CHECKED: [blank]		TITLE: NEX FLOW AIR PRODUCTS CORP. 10520 YONGE STREET, UNIT 259-220, RICHMOND HILL, ON L4C 3J7 TEL: (416) 410-5153 & FAX: (416) 410-1605 WWW.NEX-FLOW.COM					
MATERIAL: ALUMINIUM 6061 T6	FINISH: [blank]	RECT ASSEMBLY: [blank]	USED ON: [blank]	DOT PART NO.: [blank]	REVISIONS: 1. LINE IN TANKS 2. ANGLE = 3/4" 3. RADIUS = 1/2" 4. HOLE IN ACCORDANCE WITH AND 10087	STRESS: [blank]	MANUFACTURING: [blank]	SIZE: C	DATE CODE: [blank]	QTY: 30000	SCALE: 2:1	CD NO.: 0.75" - ALRV	SHEET: 1 OF 1