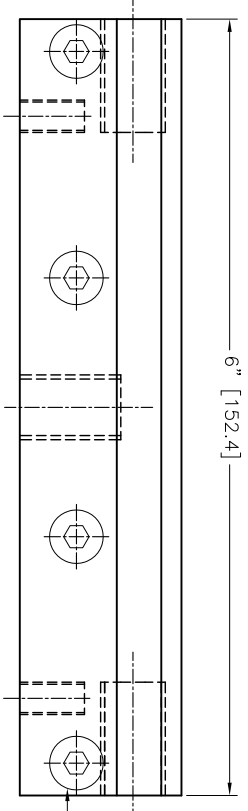
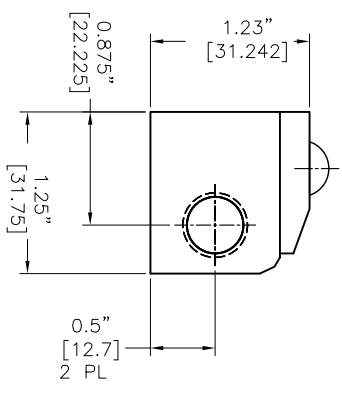
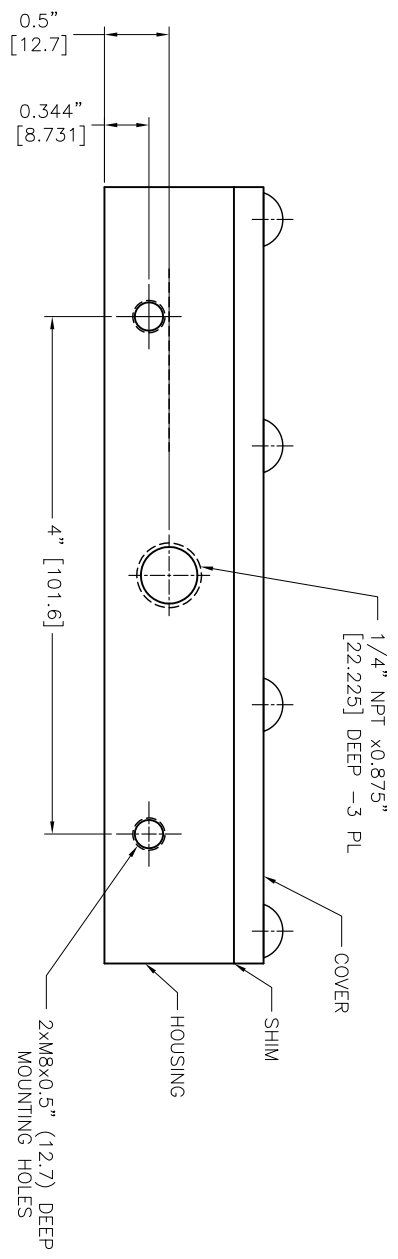
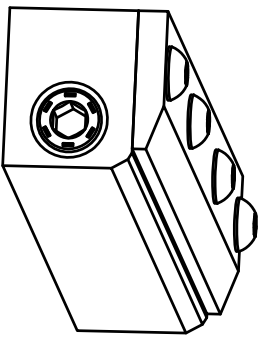


REVISIONS		DATE	APPROVED
1	-		

- NOTES:
- 1 ALL DIMENSIONS SHOWN ARE FINISH OPERATIONAL DIMENSIONS WHICH INCLUDE RESIDUAL COATINGS UNLESS OTHERWISE SPECIFIED.
 - 2 PART TO BE PACKED PROPERLY TO AVOID ANY DAMAGE WHILE SHIPPING & HANDLING.
 - 3 ALL HORIZONTAL DIMENSIONS ARE SYMMETRICAL ABOUT VERTICAL CENTER LINE UNLESS OTHERWISE SPECIFIED.



M6 HEX. LN KEY ROUND STAINLESS STEEL SCREWS



REQUIREMENTS-UNLESS OTHERWISE SPECIFIED GENERAL 1. DIMS ARE IN INCHES (MM) 2. DIMS SHOWN AND TOLERANCES IN PARENTHESES (MM) 3. MACHINE FINISH 125 MICRO INCH RMS 4. INTERNAL RADIUS .015 5. BREAK SHARP CORNERS .005 TO .015 LIMITS 1. LINEAR DIMS ±.005 ±.010 2. ANGLES = ±1/2° 3. ROUNDT .010 TIR 4. HOLES IN ACCORDANCE WITH AND 103B7		CONTRACT NUMBER - CLIENT - CONTRACTOR - DRAWN - CHECKED - DESIGNED - PROJECT - DATE 03/08/2014 SHEET 1 OF 1	
FINISH ALUMINUM/SS-304 -		NEX FLOW AIR PRODUCTS CORP. 10520 YONCE STREET, UNIT 35B-220, RICHMOND HILL, ON L4C 3C7 TEL.: (416) 410-1313 & FAX: (416) 410-1806 www.nex-flow.com	
TITRE 6" STANDARD AIR BLADE AIR KNIFE OUTLINE DRAWING OF		SCALE 1:1 DWG NO 10006 SHEET 1 OF 1	