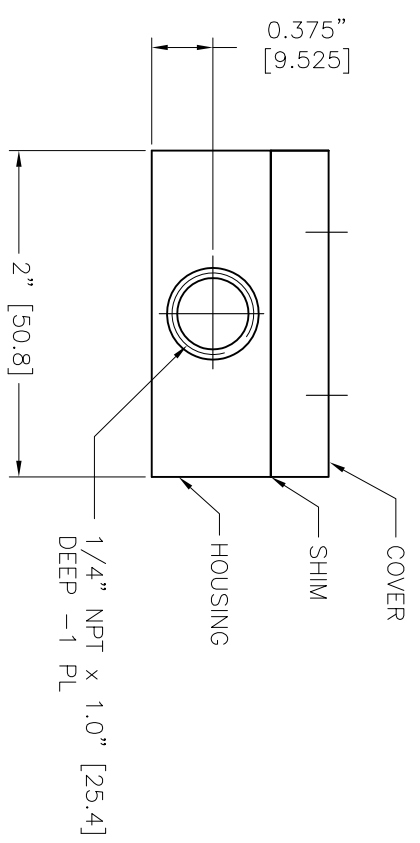
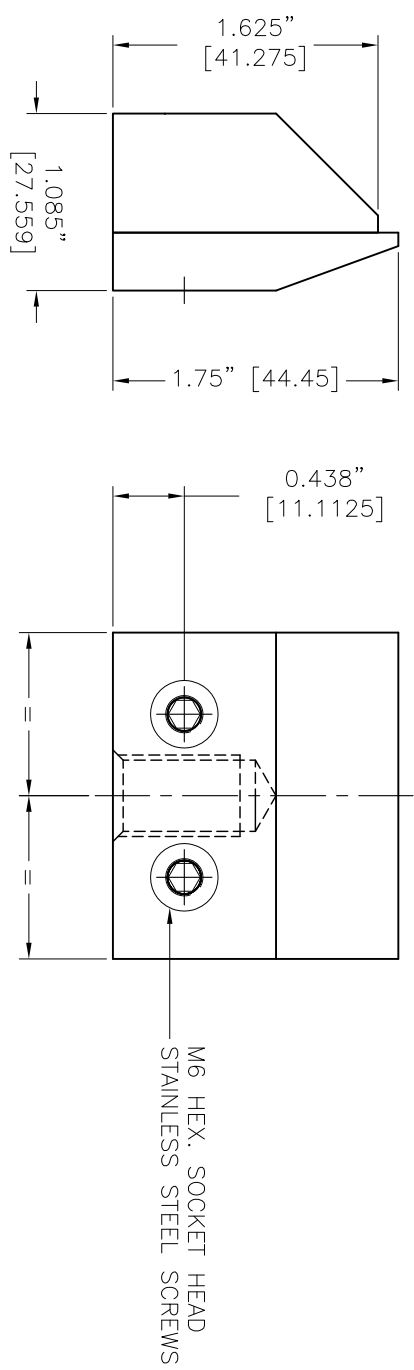


- NOTES:
- 1 ALL DIMENSIONS SHOWN ARE FINISH OPERATIONAL DIMENSIONS WHICH INCLUDE RESIDUAL COATINGS UNLESS OTHERWISE SPECIFIED.
 - 2 PART TO BE PACKED PROPERLY TO AVOID ANY DAMAGE WHILE SHIPPING & HANDLING.
 - 3 ALL HORIZONTAL DIMENSIONS ARE SYMMETRICAL ABOUT CENTER LINE UNLESS OTHERWISE SPECIFIED.



THIRD ANGLE PROJECTION	REQUIREMENTS-UNLESS OTHERWISE SPECIFIED	CONTRACT NUMBER	CLIENT	DATE	TITLE
	GENERAL	-	-	2/7/11/2013	NEX FLOW AIR PRODUCTS CORP. 10520 YONCE STREET, UNIT 358-220, RICHMOND HILL, ON L4C 3C7 TEL: (416) 410-1313 & FAX: (416) 410-1806 WWW.NEX-FLOW.COM
MATERIAL	1. DIMS ARE IN INCHES (MM)	CONTRACTOR	-	STEPHILL	2" X-STREAM AIR BLADE AIR KNIFE
ALUMINIUM	2. DIMENSIONING AND TOLERANCING IN ACCORDANCE WITH ASME Y14.5 (1982)			DATE	2/7/11/2013
	3. DIMENSIONAL FINISH 1/32 MICRO INCH RMS			DESIGN	ASHISH
	4. BREAK SHARP CORNERS .005 TO .015 LIMITS			PROJECT	CA
	5. BREAK SHARP CORNERS .005 TO .015 LIMITS			MANUFACTURING	
FINISH	1. LINEAR DIMS .0005	STRESS		MATERIALS	
-	2. ANGLES = 2.00°	THERMAL		FINISH	
	3. RADIUS = .015"	MECHANICAL		CONTROL	
	4. HOLES IN ACCORDANCE WITH AND 10387			SCALE	1:1
				CAD NO	XAK-02
				SHEET	1 OF 1