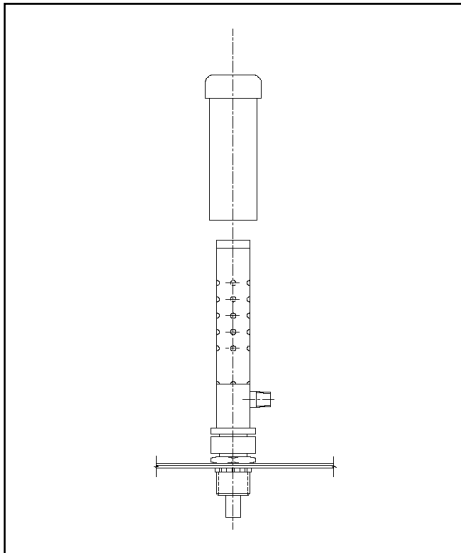


## INSTALLATION AND MAINTENANCE OF HOT END MUFFLER AND GUARD MODELS 69502 and 69504

### Guidelines:

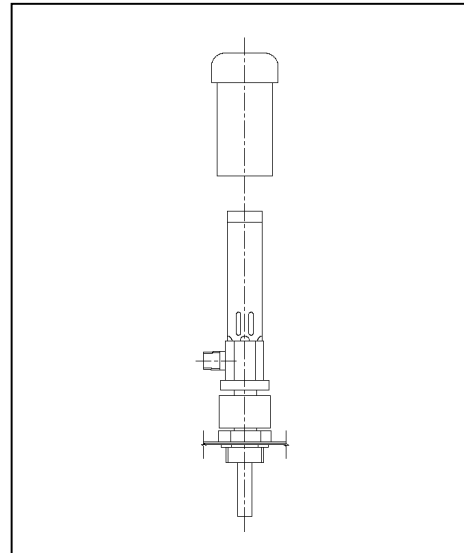
1. *The Hot End Muffling System comes as a single unit. Simply mount the unit over the Panel Cooler and it will fit securely onto the top of the panel cooler. Push onto the Panel Cooler until it fits snug onto the cooling unit.*
2. *Unit may be removed to clean and reinstalled as necessary. Do NOT allow the bottom opening of the unit to be blocked as it allows for the hot air exhaust from the Panel Cooler.*
3. *The Hot And Muffler and Guard Models 69502 and 69504 protects against accidentally grabbing the hot end of the Panel Cooler and allows for up to two dBA of sound reduction.*

#### Model 69502



**Hot End Muffler for Models  
60010A to 63140X**

#### Model 69504



**Hot End Muffler for Models  
60002A to 63108X**

USA & CANADA  
Tel: (877) 797-2777  
Fax: (877) 797-2660

INTERNATIONAL  
Tel: (416) 410-1313  
Fax: (416) 410-1806

INTERNET  
[www.nex-flow.com](http://www.nex-flow.com)  
[sales@nex-flow.com](mailto:sales@nex-flow.com)